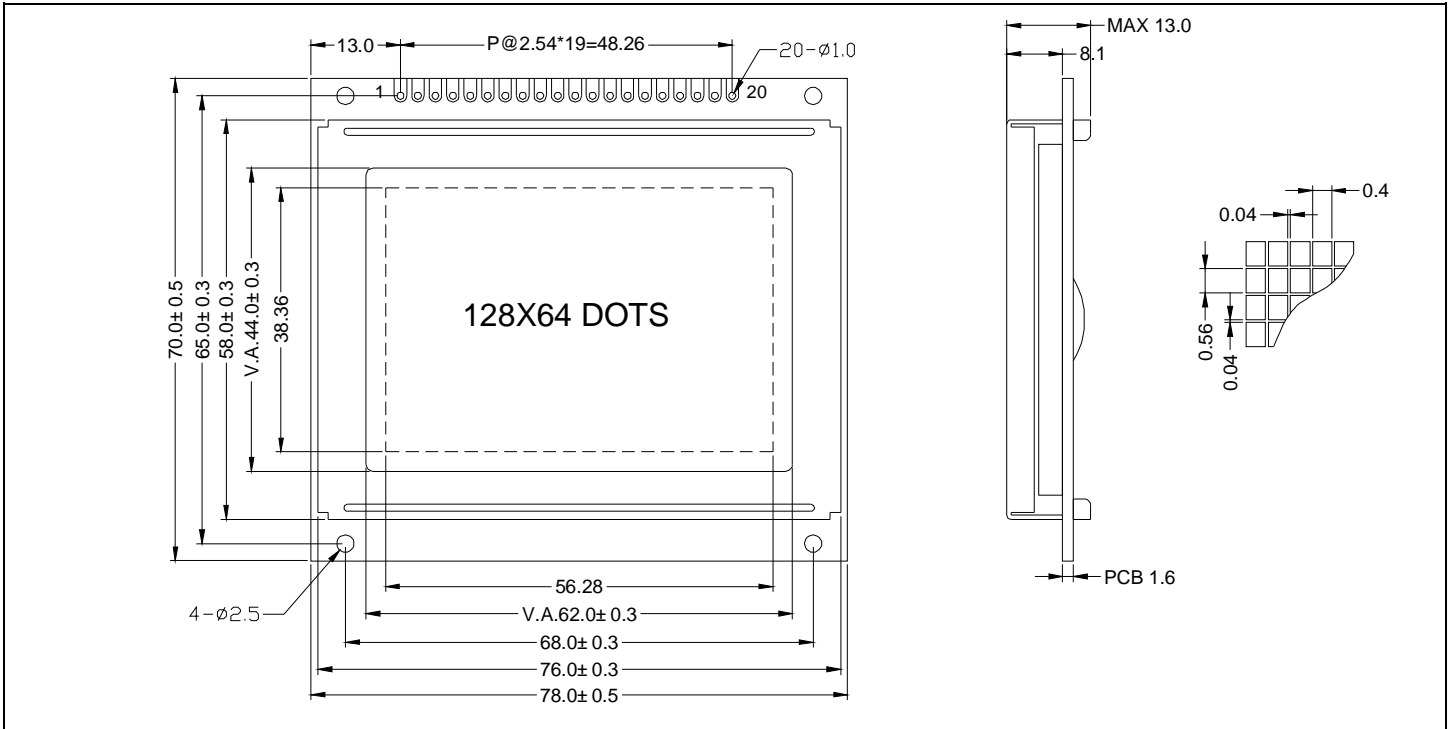


128 x 64 dots + yellow green LED backlight



ABSOLUTE MAXIMUM RATINGS

Item	Symbol	Min.	Max.	Unit
Supply Voltage(Logic)	VDD-VSS	-0.3	7.0	V
Supply Voltage(LCD)	VDD-VO	-0.3	19.0	V
Input Voltage	VI	-0.3	VDD+0.3	V
Operating Temp.	Topr	-20	70	°C
Storage Temp.	Tstg	-30	80	°C

MECHANICAL DATA

Item	Nominal Dimensions	Unit
Module Size(W x H x T)	78.0 x 70.0 x 13.0	mm
Viewing Area(W x H)	62.0 x 44.0	mm
Dot Pitch(W x H)	0.44 x 0.60	mm
Dot Size(W x H)	0.40 x 0.56	mm
Weight	Approx. 80	g

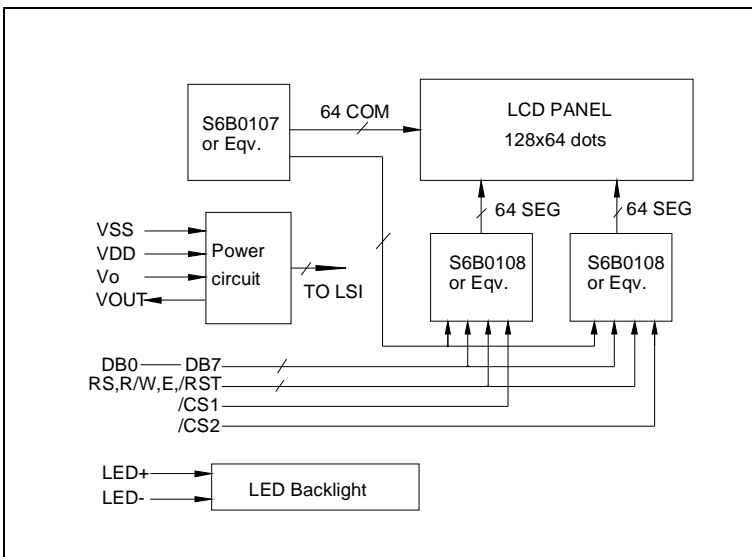
ELECTRICAL CHARACTERISTICS (VDD=5V±5%)

Item	Symbol	TEST Condition	Min.	Typ.	Max.	Unit
Input High Voltage	VIH	--	2.0	--	VDD	V
Input Low Voltage	VIL	--	-0.3	--	0.8	V
Output High Voltage	VOH	IOH=-0.2mA	2.4	--	VDD	V
Output Low Voltage	VOL	IOL=1.6mA	0	--	0.4	V
Supply Current	IDD	VDD=5.0v	--	6	8	mA
LCD Driving Voltage	VDD-VO	Ta=25°C	--	11.2	--	V

PIN CONNECTIONS

PIN	Symbol	Level	Function
1	/CS1	L	Chip selection for IC1, active "L"
2	/CS2	L	Chip selection for IC2, active "L"
3	VSS	0V	GND
4	VDD	+5V	Power supply for logic
5	VO	--	Contrast adjusting
6	RS	H/L	H:Data L:Instruction code
7	R/W	H/L	H:Read L:Write
8	E	H,H→L	Enable signal
9	DB0	H/L	Data bus line
10	DB1	H/L	
11	DB2	H/L	
12	DB3	H/L	
13	DB4	H/L	
14	DB5	H/L	
15	DB6	H/L	
16	DB7	H/L	
17	/RST	L	Reset signal, active "L"
18	VOOUT	-10V	Output voltage for LCD driving
19	LED+	+5V	Power supply for LED backlight
20	LED-	0V	

BLOCK DIAGRAM



LED BACKLIGHT SPECIFICATIONS(Ta=25°C)

Item	Symbol	Typ.	Max.	Unit
Forward Voltage	Vf	4.1	4.3	V
Forward Current	If	300	--	mA
LED Color		Yellow green		