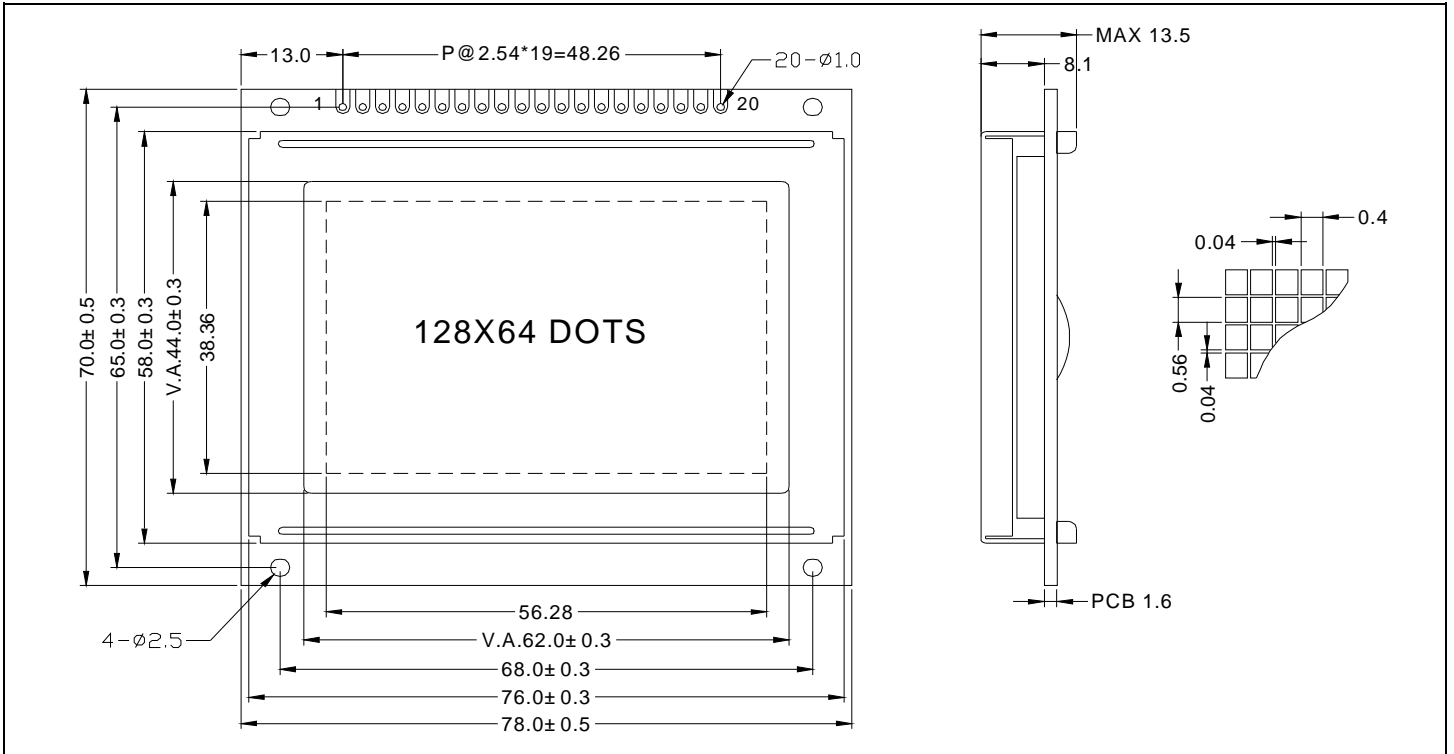


128 x 64 dots + white LED backlight



ABSOLUTE MAXIMUM RATINGS

Item	Symbol	Min.	Max.	Unit
Supply Voltage(Logic)	VDD-VSS	-0.3	7.0	V
Supply Voltage(LCD)	VDD-VO	-0.3	25.0	V
Input Voltage	VI	-0.3	VDD+0.3	V
Operating Temp.	Topr	-20	70	°C
Storage Temp.	Tstg	-30	80	°C

MECHANICAL DATA

Item	Nominal Dimensions	Unit
Module Size(W x H x T)	78.0 x 70.0 x 13.5	mm
Viewing Area(W x H)	62.0 x 44.0	mm
Dot Pitch(W x H)	0.44 x 0.60	mm
Dot Size(W x H)	0.40 x 0.56	mm
Weight	Approx. 80	g

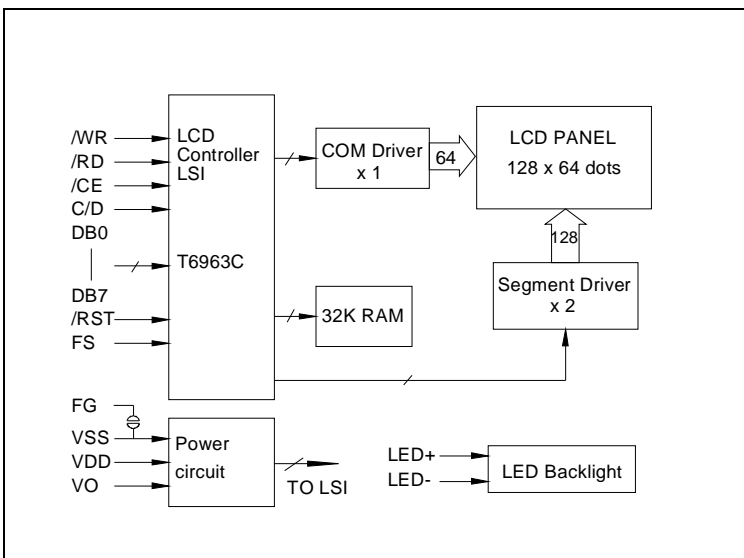
ELECTRICAL CHARACTERISTICS (VDD=5V±5%)

Item	Symbol	TEST Condition	Min.	Typ.	Max.	Unit
Input High Voltage	VIH	--	VDD-2.2	--	VDD	V
Input Low Voltage	VIL	--	-0.3	--	0.8	V
Output High Voltage	VOH	--	VDD-0.3	--	VDD	V
Output Low Voltage	VOL	--	0	--	0.3	V
Supply Current	IDD	VDD=5.0v	--	10.0	15.0	mA
LCD Driving Voltage	VDD-VO	Ta=25°C	--	11.2	--	V

PIN CONNECTIONS

PIN	Symbol	Level	Function
1	FG	--	Frame ground
2	VSS	0V	GND
3	VDD	+5V	Power supply for logic
4	VO	--	Contrast adjusting
5	/WR	H/L	Write signal, active "L"
6	/RD	H/L	Read signal, active "L"
7	/CE	H/L	Chip enable signal, active "L"
8	C/D	H/L	H: Instruction code L: Data
9	/RST	H/L	Reset signal, active "L"
10	DB0	H/L	Data bus line
11	DB1	H/L	
12	DB2	H/L	
13	DB3	H/L	
14	DB4	H/L	
15	DB5	H/L	
16	DB6	H/L	
17	DB7	H/L	
18	FS	H/L	Font selection L: 8x8, H: 6x8
19	LED+	+5V	Power supply for LED backlight
20	LED-	0V	

BLOCK DIAGRAM



LED BACKLIGHT SPECIFICATIONS (Ta=25°C)

Item	Symbol	Typ.	Max.	Unit
Forward Voltage	Vf	3.1	3.3	V
Forward Current	If	60	--	mA
LED Color		White		