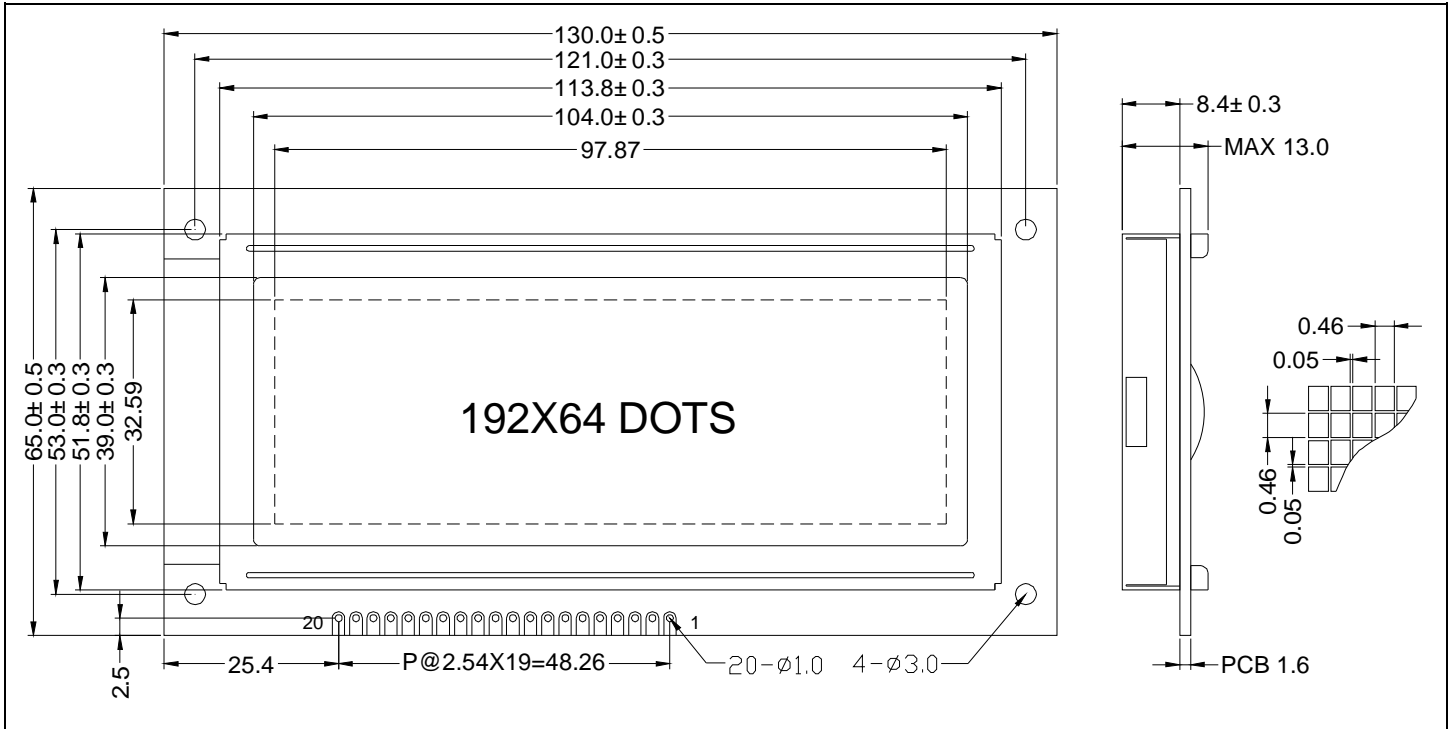


192 x 64 dots + white LED backlight



ABSOLUTE MAXIMUM RATINGS

Item	Symbol	Min.	Max.	Unit
Supply Voltage(Logic)	VDD-VSS	-0.3	7.0	V
Supply Voltage(LCD)	VDD-VO	-0.3	19.0	V
Input Voltage	VI	-0.3	VDD+0.3	V
Operating Temp.	Topr	-20	70	°C
Storage Temp.	Tstg	-30	80	°C

MECHANICAL DATA

Item	Nominal Dimensions	Unit
Module Size(W x H x T)	130.0 x 65.0 x 13.0	mm
Viewing Area(W x H)	104.0 x 39.0	mm
Dot Pitch(W x H)	0.51 x 0.51	mm
Dot Size(W x H)	0.46 x 0.46	mm
Weight	Approx. 100	g

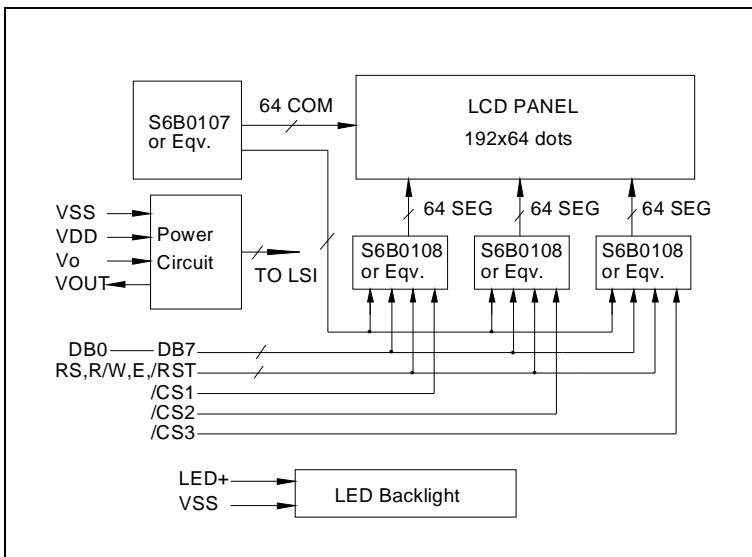
ELECTRICAL CHARACTERISTICS (VDD=5V±5%)

Item	Symbol	TEST Condition	Min.	Typ.	Max.	Unit
Input High Voltage	VIH	--	2.0	--	VDD	V
Input Low Voltage	VIL	--	-0.3	--	0.8	V
Output High Voltage	VOH	IOH=-0.2mA	2.4	--	VDD	V
Output Low Voltage	VOL	IOL=1.6mA	0	--	0.4	V
Supply Current	IDD	VDD=5.0v	--	6	8	mA
LCD Driving Voltage	VDD-VO	Ta=25°C	--	12.7	--	V

PIN CONNECTIONS

PIN	Symbol	Level	Function
1	VSS	0V	GND
2	VDD	+5V	Power supply for logic
3	VO	--	Contrast adjusting
4	RS	H/L	H:Data L:Instruction code
5	R/W	H/L	H:Read L:Write
6	E	H,H→L	Enable signal
7	DB0	H/L	Data bus line
8	DB1	H/L	
9	DB2	H/L	
10	DB3	H/L	
11	DB4	H/L	
12	DB5	H/L	
13	DB6	H/L	
14	DB7	H/L	
15	/CS1	L	Chip selection for IC1, active "L"
16	/RST	L	Reset signal, active "L"
17	/CS2	L	Chip selection for IC2, active "L"
18	/CS3	L	Chip selection for IC3, active "L"
19	VOUT	-10V	Output voltage for LCD driving
20	LED+	+5V	Power supply for LED backlight

BLOCK DIAGRAM



LED BACKLIGHT SPECIFICATIONS (Ta=25°C)

Item	Symbol	Typ.	Max.	Unit
Forward Voltage	Vf	3.1	3.3	V
Forward Current	If	60	--	mA
LED Color		White		